

PDS Air™ Partial Discharge Surveying Tool



The PDS Air™ handheld partial discharge (PD) test unit is specially designed for the rapid PD ‘screening’ of large numbers of medium voltage (MV: 3.3–36 kV) assets. It is the only handheld PD test unit in the market to combine **three** PD sensors to detect PD activity in power cables, motors, generators, switchgear, and transformers.

Key Features

- Rapid test times as low as five seconds per panel/cable
- Large numbers of MV assets can be scanned for PD quickly and easily, as a prelude to diagnostic PD testing
- Lightweight, portable and easy-to-use
- Easy-to-understand, 7-level, colour-coded PD display
- Digital TEV-dB numerical display from 10 dB to 50 dB
- Incorporates 3 sensors: Airborne Acoustic (AA), Transient Earth Voltage (TEV) and High Frequency Current Transformer (HFCT)

On-Line Partial Discharge Surveying System

PD Level Guide:

	CT	AA	TEV
Plant Discharge-free	● 300 pC	8 dB	15 dB
Moderate PD Monitor	● 600 pC	12 dB	20 dB
	● 1200 pC	15 dB	25 dB
Moderate to High PD Investigate Source	● 3000 pC	19 dB	30 dB
	● 7800 pC	22 dB	35 dB
High PD Diagnostic Test, Locate & Restrict Access	● 20000 pC	26 dB	40 dB
	● 30000 pC	30 dB	45 dB



Typical Applications



SWITCHGEAR

Local PD within the switchgear can be detected using the built-in transient earth voltage (TEV) and ultrasonic airborne acoustic (AA) sensors.



MV CABLES & REMOTELY CONNECTED PLANT

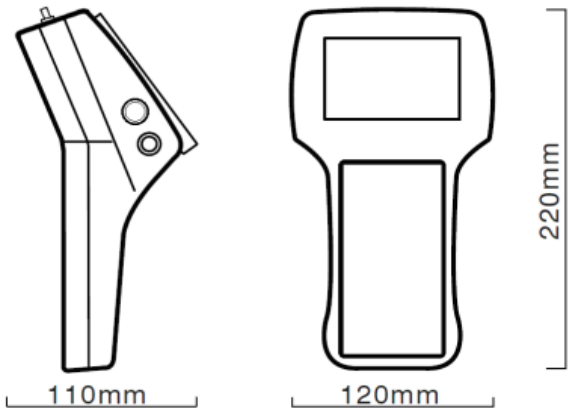
Cable PD activity is measured using the external, split-core High Frequency Current Transformer (HFCT) sensor attached to the cable's earth straps.



HV OUTDOOR SWITCHYARDS

Surface discharge and corona can be detected and located using the outdoor parabolic receiver.

PDS Air™ Partial Discharge Surveying Tool






Unit Dimensions	
Dimensions	D: 110 mm W: 120 mm H: 220 mm
Weight	1.26 kg
Power Supply	Li-ion Battery (Mains and Car Chargers Included)

Standard Scope of Supply

HVPD PDS Air™		HVPD Split-core HFCT 100/50 Sensor	
Standard Headphones		100 kHz High Pass Filter	
RG223 BNC Signal Cable		Soft Carry Case	

Optional Extras

Indoor Acoustic Probe		Outdoor Parabolic Receiver and Laser Enhancement Eyewear	
Peltor PPE Headphones (PPE-Suitable)		Accessories Carry Case	